

Form for cutting the Teos shower tray

Made to measure
radaway

ENQUIRY ORDER

WITHOUT EDGE PROCESSING

WITH EDGE PROCESSING

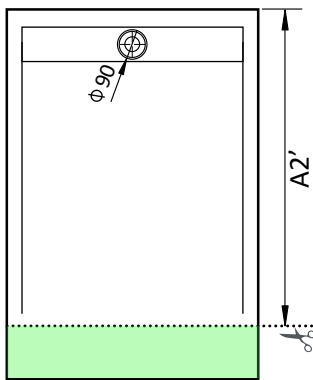
SHOWROOM CONTACT DETAILS

Name of company: _____
 Contact person: _____
 Tel.: _____
 E-mail: _____

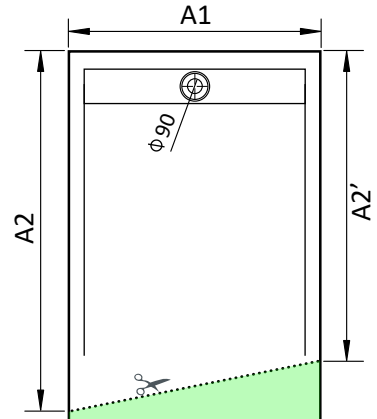
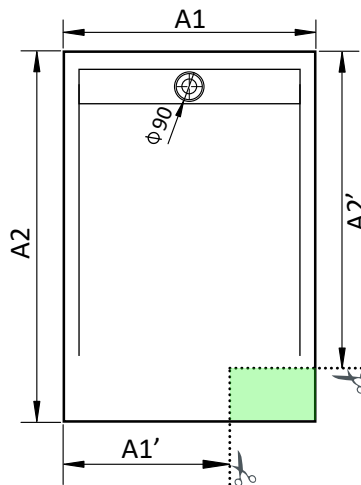
CUSTOMER CONTACT DETAILS

First name and surname: _____
 Tel.: _____

STRAIGHT CUT

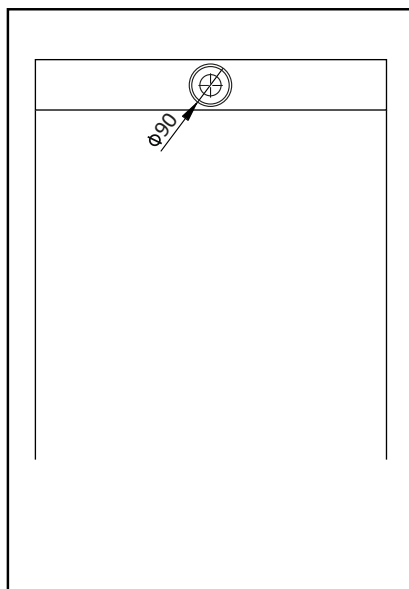


OTHER VARIANTS OF CUTS



surface to be cut

OVERVIEW DRAWING OF CUT



Other cutting options available on individual request.

ADDITIONAL INFORMATION:

ITEM CODE NUMBER:.....

STRAIGHT CUT:

A2'*=

OTHER VARIANTS OF CUTS:

A1=

A1' =

A2*=

A2'*=

Please sketch the desired cutting.

* depending on the dimension B – see the technical drawing in the catalogue