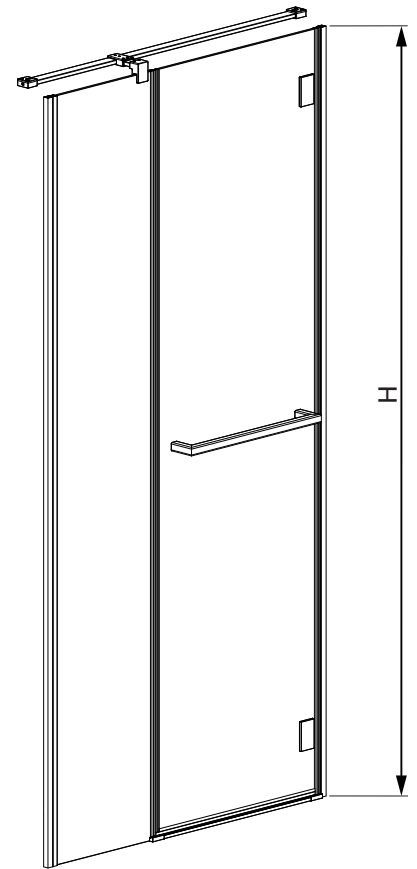
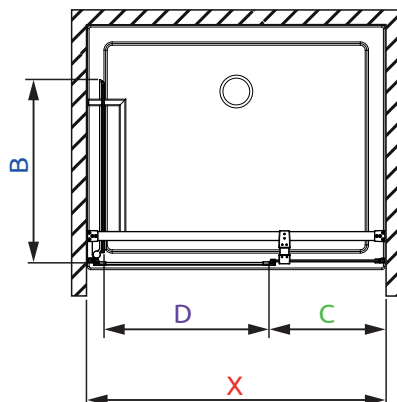
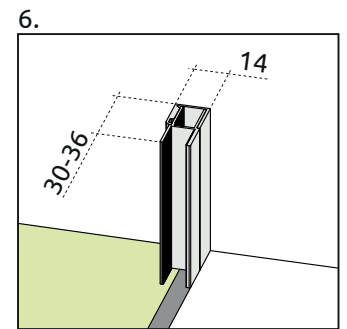
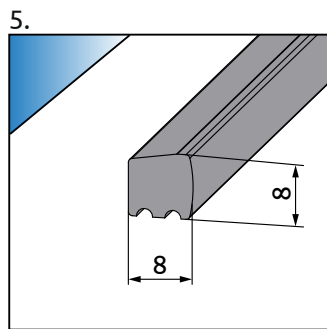


Wariant LEWY
Variant L



Wariant PRAWY
Variant R



Model	X	B	C	D	H
DWJ 90	893-905	552	344-350	500	1950
DWJ 100	993-1005	552	444-450	500	1950
DWJ 110	1093-1105	552	544-550	500	1950
DWJ 120	1193-1205	552	644-650	500	1950