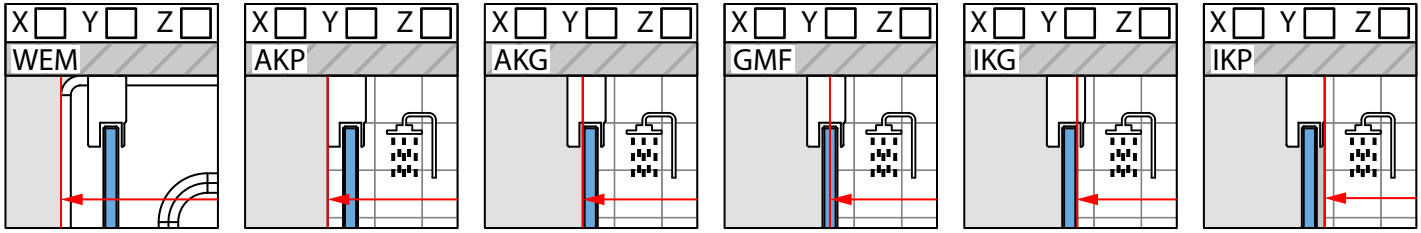


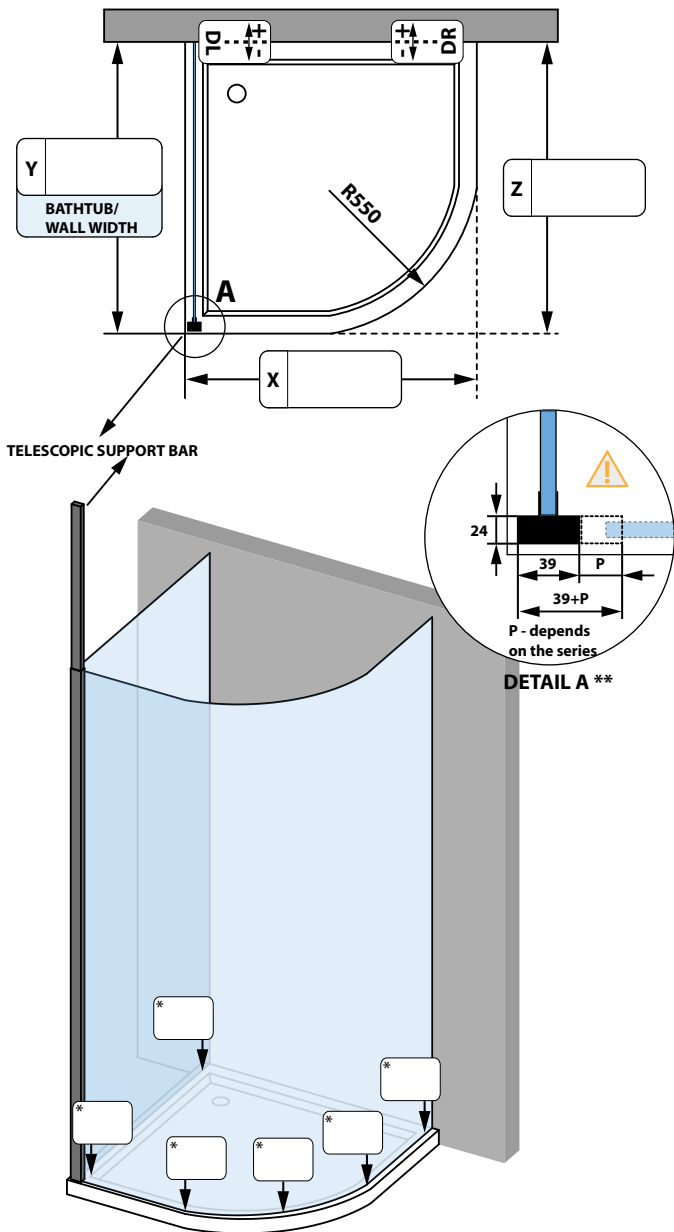
CUSTOMER DATA: \_\_\_\_\_  
 SERIES AND MODEL: \_\_\_\_\_ INSTALLER DATA: \_\_\_\_\_  
 FITTINGS COLOR: \_\_\_\_\_  
 GLASS COLOR: \_\_\_\_\_

MOUNTING PROFILE:	Y	Z
COMPLIES WITH SERIES AND MODELS	<input type="checkbox"/>	<input type="checkbox"/>
OTHER:	<input type="checkbox"/>	<input type="checkbox"/>
OTHER:	<input type="checkbox"/>	<input type="checkbox"/>

MEASUREMENT METHODS:



MAIN DRAWING

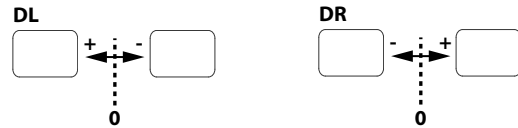


CONSTRUCTION HEIGHT AT "0" POINT:

STANDARD

NO POSSIBILITY TO CHANGE THE HEIGHT

MEASURE AND GIVE DEVIATIONS (A BLANK FIELD MEANS NO DEVIATION)



\* INDICATE "0" POINT(S) AND SPECIFY DEVIATION(S) AS A NEGATIVE VALUE  
 POINT(S) "0" IS/ARE THE HIGHEST POINT(S) ON THE FLOOR / SHOWER TRAY / L-SHAPE WALL

\*\* FOR THE PDD II + S SHOWER ENCLOSURE, A TELESCOPIC SUPPORT BAR MUST BE FIXED TO THE CEILING. CHECK THE POSSIBILITY OF INSTALLATION. THE MAXIMUM HEIGHT OF THE SUPPORT IS 3000 MM FROM THE SHOWER ENCLOSURE BASE. IN A PDJ + S SHOWER ENCLOSURE, THE FIXED WALL PREVIOUS THE DOOR IS MOUNTED DIRECTLY TO THE WALL OF THE ROOM.

 ATTENTION, RADAWAY, FOR TECHNOLOGICAL REASONS, RESERVES THE POSSIBILITY OF MAKING CONSTRUCTION CHANGES.

REMARKS: \_\_\_\_\_