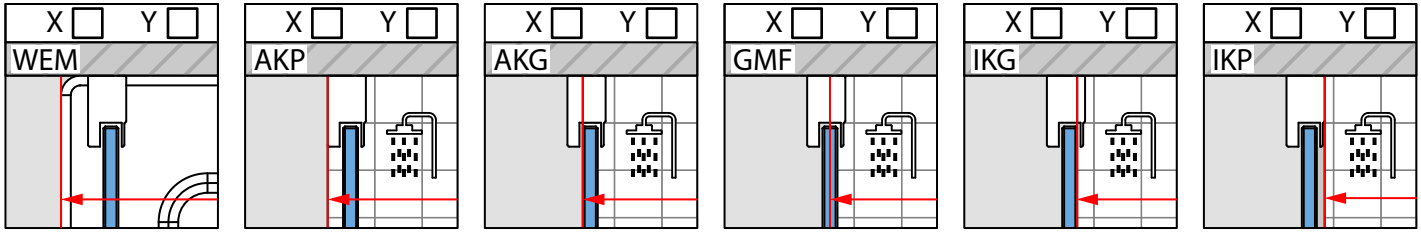


CUSTOMER DATA: _____
 SERIES AND MODEL: _____ INSTALLER DATA: _____
 FITTINGS COLOR: _____
 GLASS COLOR: _____

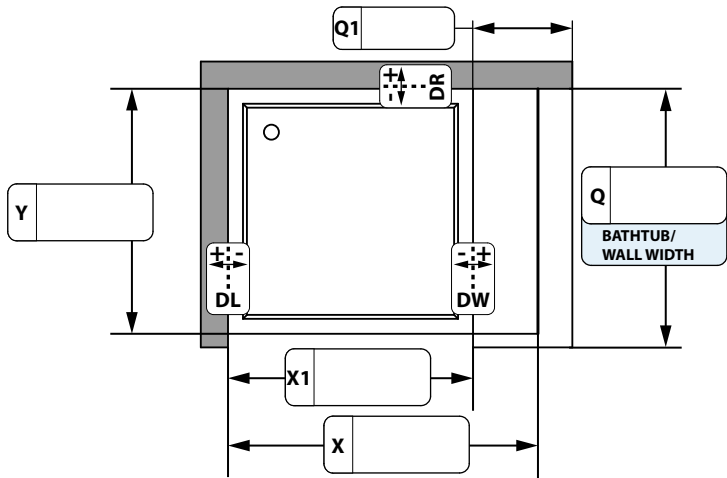
| | | |
|---------------------------------|--------------------------|--------------------------|
| MOUNTING PROFILE: | X | Y |
| COMPLIES WITH SERIES AND MODELS | <input type="checkbox"/> | <input type="checkbox"/> |
| OTHER: | <input type="checkbox"/> | <input type="checkbox"/> |
| OTHER: | <input type="checkbox"/> | <input type="checkbox"/> |

MEASUREMENT METHODS:



MAIN DRAWING

ENTRANCE: SIDE "X"

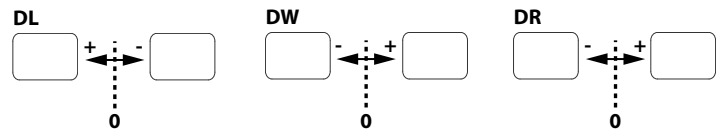


CONSTRUCTION HEIGHT AT "0" POINT:

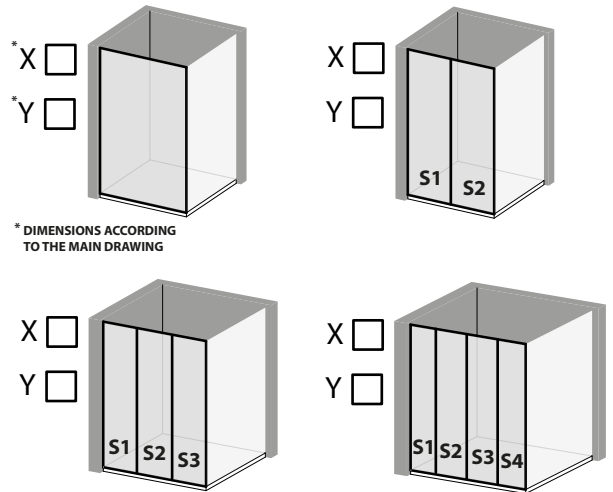
STANDARD

OTHER:

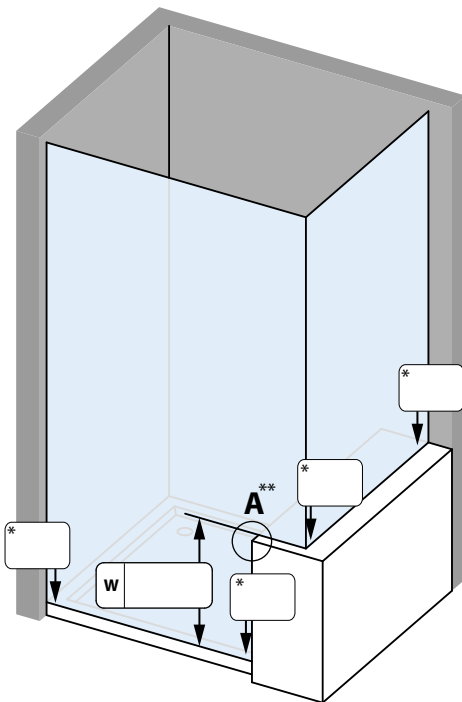
MEASURE AND GIVE DEVIATIONS (A BLANK FIELD MEANS NO DEVIATION)



CHOOSE THE VARIANT OF THE LAYOUT OF THE BUILDING WALLS FOR X AND Y:



* DIMENSIONS ACCORDING TO THE MAIN DRAWING



* INDICATE "0" POINT(S) AND SPECIFY DEVIATION(S) AS A NEGATIVE VALUE
 POINT(S) "0" IS/ARE THE HIGHEST POINT(S) ON THE FLOOR / SHOWER TRAY / L-SHAPE WALL

** CHECK THE FLATNESS AND DESCRIBE ANY CURVES. STANDARD GAP IS 3 MM, CONSIDER INCREASING IT.

GIVE DIMENSIONS AND METHOD OF INTERPRETATION:

| | X | Y |
|----|---|---|
| S1 | | |
| S2 | | |
| S3 | | |
| S4 | | |

 ATTENTION, RADAWAY, FOR TECHNOLOGICAL REASONS, RESERVES THE POSSIBILITY OF MAKING CONSTRUCTION CHANGES.

REMARKS: _____