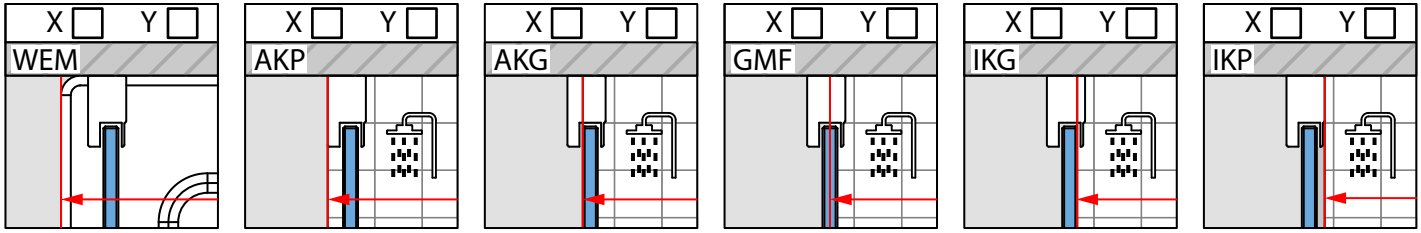


CUSTOMER DATA: _____
 SERIES AND MODEL: _____ INSTALLER DATA: _____
 FITTINGS COLOR: _____
 GLASS COLOR: _____ HORIZONTAL GASKET WITH A STRIP WITHOUT A STRIP
 MEASUREMENT METHODS: ENTRANCE: SIDE "X" SIDE "Y"

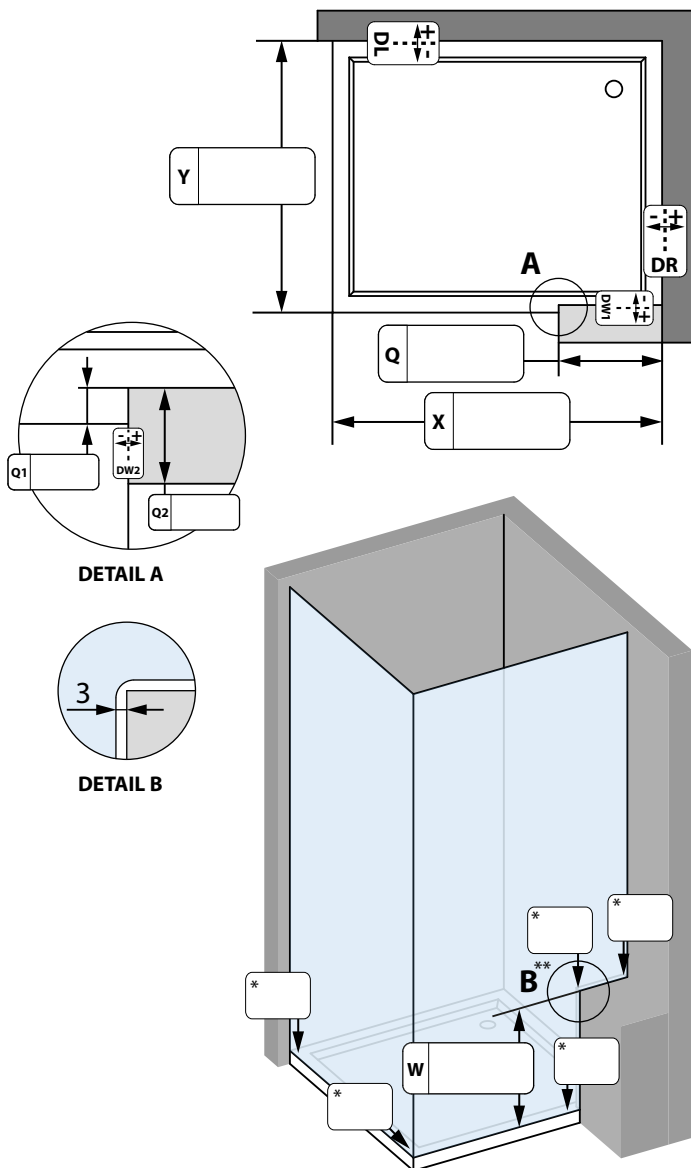
MOUNTING PROFILE:

	X	Y
COMPLIES WITH SERIES AND MODELS	<input type="checkbox"/>	<input type="checkbox"/>
OTHER:	<input type="checkbox"/>	<input type="checkbox"/>
OTHER:	<input type="checkbox"/>	<input type="checkbox"/>



MAIN DRAWING

ENTRANCE: SIDE "X"



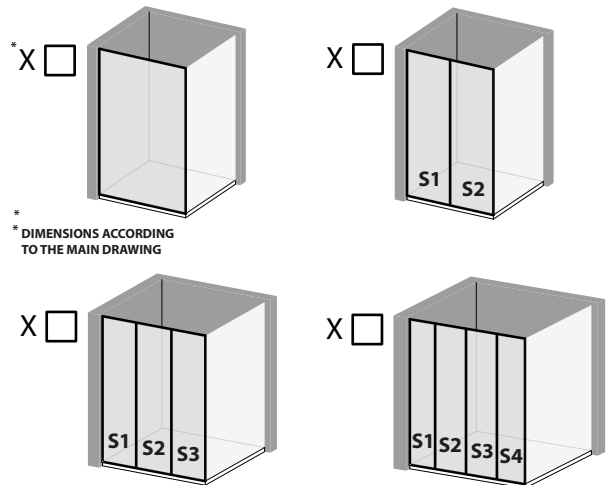
CONSTRUCTION HEIGHT AT "0" POINT:

STANDARD OTHER:

MEASURE AND GIVE DEVIATIONS (A BLANK FIELD MEANS NO DEVIATION)

DL + - 0
 DR - + 0
 DW1 - + 0
 DW2 - + 0

CHOOSE THE VARIANT OF THE LAYOUT OF THE BUILDING WALLS FOR X AND Y:



GIVE DIMENSIONS AND METHOD OF INTERPRETATION:

	X	Y
S1		
S2		
S3		
S4		

* INDICATE "0" POINT(S) AND SPECIFY DEVIATION(S) AS A NEGATIVE VALUE
 POINT(S) "0" IS/ARE THE HIGHEST POINT(S) ON THE FLOOR / SHOWER TRAY / L-SHAPE WALL
 ** CHECK THE FLATNESS AND DESCRIBE ANY CURVES. STANDARD GAP IS 3 MM, CONSIDER INCREASING IT.

 ATTENTION, RADAWAY, FOR TECHNOLOGICAL REASONS, RESERVES THE POSSIBILITY OF MAKING CONSTRUCTION CHANGES.

REMARKS: _____