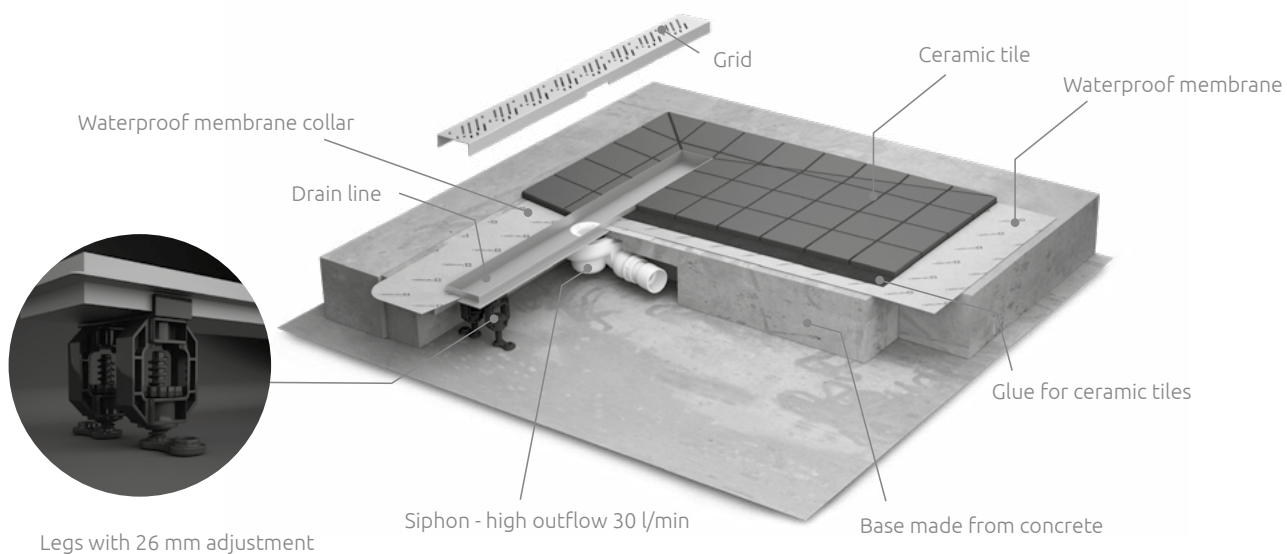


Drain lines



GRID DESIGNS

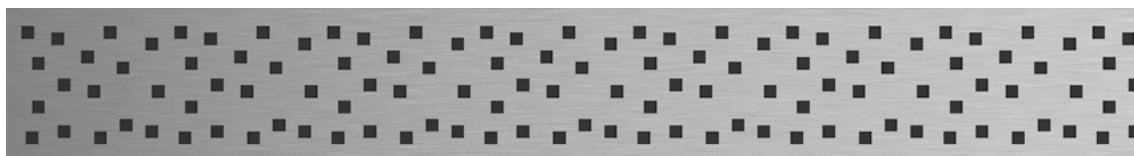
B – Basic (for ceramic tiles)



F – Flowers



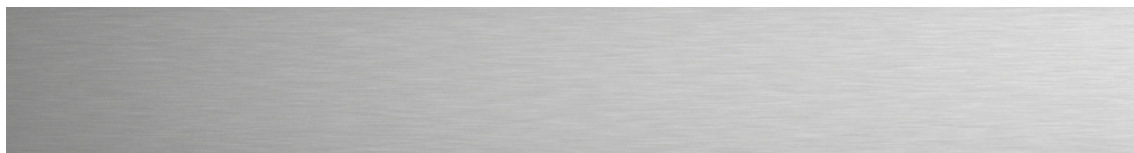
Q – Quadro



R – Rain

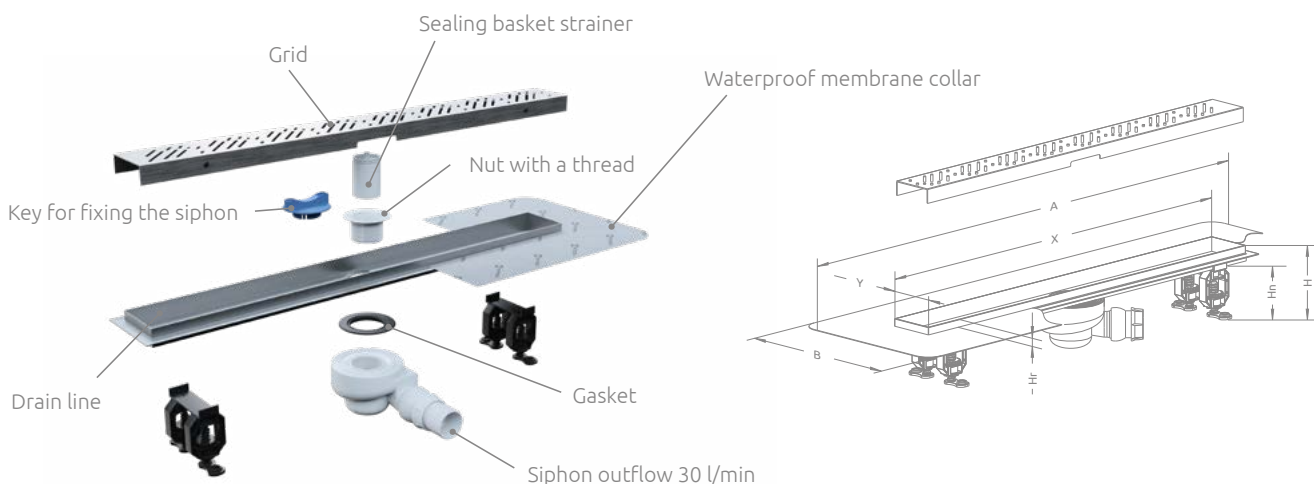


S – Steel

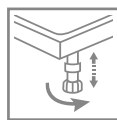
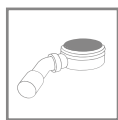


Please change letter „X” in the article number to appropriate letter marking design of grid.

Drain lines



Legs with 27 mm adjustment



Drain lines designed for ceramic tiles 8-12 mm thick

Please specify the article numbers of a grid and drain line when making an order.

Drain line Art. No.	Grid Art. No.	Length of the drain line
5L055A	5R055X	550
5L065A	5R065X	650
5L075A	5R075X	750
5L085A	5R085X	850
5L095A	5R095X	950
5L105A	5R105X	1050
5L115A	5R115X	1150

Art. No.	X	Y	A	B	Hn	Hr	H
5L055A	550	80	772	300	79-106	15	105-132
5L065A	650	80	872	300	79-106	15	105-132
5L075A	750	80	972	300	79-106	15	105-132

Art. No.	X	Y	A	B	Hn	Hr	H
5L085A	850	80	1072	300	79-106	15	105-132
5L095A	950	80	1172	300	79-106	15	105-132
5L105A	1050	80	1272	300	79-106	15	105-132
5L115A	1150	80	1372	300	79-106	15	105-132

X – please change to appropriate design of grid: B – Basic (for ceramic tiles), F – Flowers, Q – Quadro, R – Rain, S – Steel.