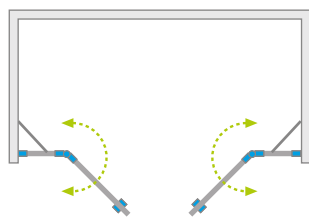


Eos DWD II



Eos DWD II + Kyntos F

Profile finish:



01 Chrome

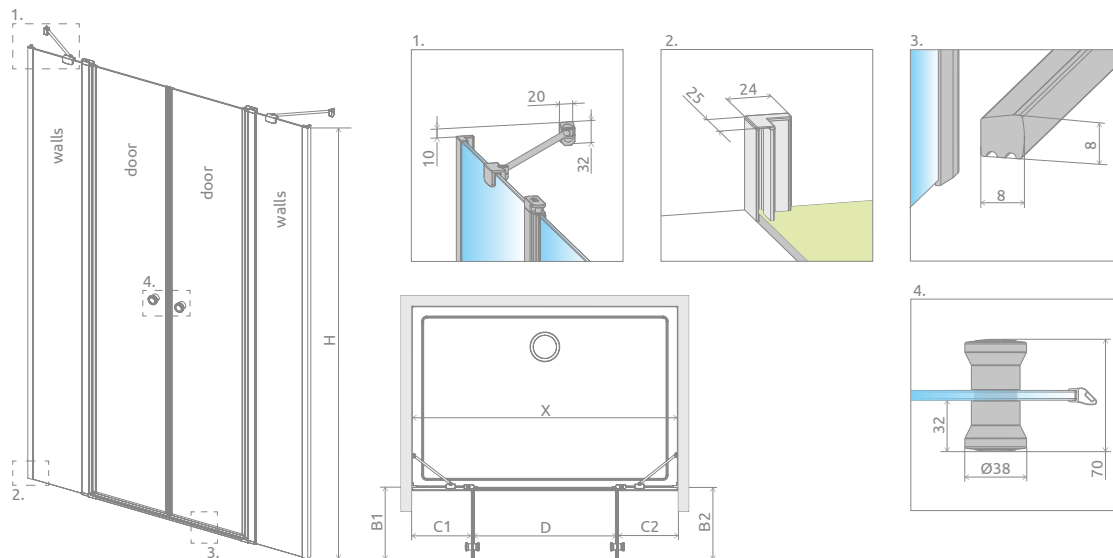
Shower enclosure set consists of 2 parts: set of doors and set of front walls. Please specify all the article numbers when making an order. Enclosure can be ordered in various combinations of doors and front walls sizes, depending on the situation in the bathroom. On the next page you will find possible variants of dimensions.

DOORS (set of 2 doors)

Model	Height (H)	TRANSPARENT GLASS
		Art. No.
DWD II doors G 670	1950	13799670-01-01
DWD II doors G 770	1950	13799770-01-01
DWD II doors G 870	1950	13799870-01-01
DWD II doors G 970	1950	13799970-01-01

FRONT WALLS (set of 2 front walls)

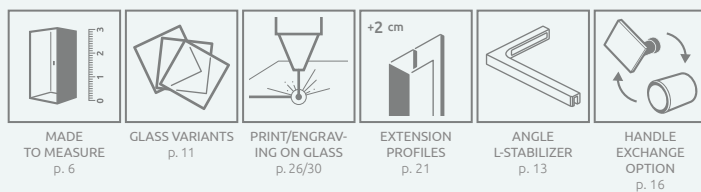
Model	Height (H)	TRANSPARENT GLASS
		Art. No.
DWD II walls 630	1950	13799630-01-01
DWD II walls 730	1950	13799730-01-01
DWD II walls 830	1950	13799830-01-01
DWD II walls 930	1950	13799930-01-01
DWD II walls 1030	1950	13799103-01-01



Model	Version				Model	Version	X	B1	B2	C1	C2	D	H
	W1	W2	W3	W4									
DWD II 130	Doors G 670 Walls 630				DWD II 130	W1	1280-1310	350	350	285-300	285-300	690	1950
DWD II 140	Doors G 770 Walls 630	Doors G 670 Walls 730			DWD II 140	W1	1380-1410	400	400	285-300	285-300	790	1950
DWD II 150	Doors G 870 Walls 630	Doors G 770 Walls 730	Doors G 670 Walls 830		DWD II 150	W1	1480-1510	450	450	285-300	285-300	890	1950
DWD II 160	Doors G 970 Walls 630	Doors G 870 Walls 730	Doors G 770 Walls 830	Doors G 670 Walls 930	DWD II 150	W2	1480-1510	400	400	335-350	335-350	790	1950
DWD II 170*	Doors G 970 Walls 730	Doors G 870 Walls 830	Doors G 770 Walls 930	Doors G 670 Walls 1030	DWD II 150	W3	1480-1510	350	350	385-400	385-400	690	1950
DWD II 180*	Doors G 970 Walls 830	Doors G 870 Walls 930	Doors G 770 Walls 1030		DWD II 160	W1	1580-1610	500	500	285-300	285-300	990	1950
DWD II 190*	Doors G 970 Walls 930	Doors G 870 Walls 1030			DWD II 160	W2	1580-1610	450	450	335-350	335-350	890	1950
DWD II 200*	Doors G 970 Walls 1030				DWD II 160	W3	1580-1610	400	400	385-400	385-400	790	1950
					DWD II 160	W4	1580-1610	350	350	435-450	435-450	690	1950
					DWD II 170	W1	1680-1710	500	500	335-350	335-350	990	1950
					DWD II 170	W2	1680-1710	450	450	385-400	385-400	890	1950
					DWD II 170	W3	1680-1710	400	400	435-450	435-450	790	1950
					DWD II 170	W4	1680-1710	350	350	485-500	485-500	690	1950
					DWD II 180	W1	1780-1810	500	500	385-400	385-400	990	1950
					DWD II 180	W2	1780-1810	450	450	435-450	435-450	890	1950
					DWD II 180	W3	1780-1810	400	400	485-500	485-500	790	1950
					DWD II 190	W1	1880-1910	500	500	435-450	435-450	990	1950
					DWD II 190	W2	1880-1910	450	450	485-500	485-500	890	1950
					DWD II 200	W1	1980-2010	500	500	485-500	485-500	990	1950

* Only shower boards are available for selected models.

ADDITIONAL OPTIONS



Extension profiles	Art. No.
 <p>U profile + 2 cm</p>	P01-284195001

NAVIGATION



Dimensions are given in mm.