

R400 SLIM PLUS



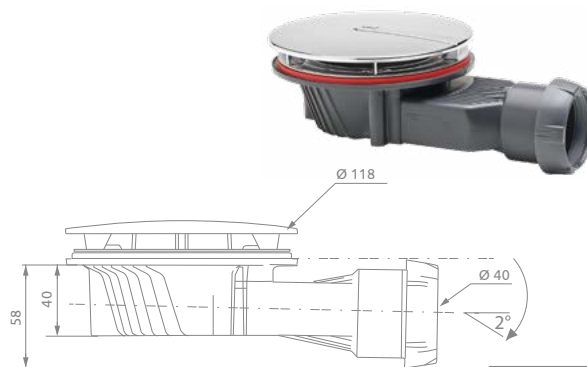
New

Siphon for shower trays with a silicone membrane impermeable to sounds and unpleasant odors even during a long break in use. Integrated seal guaranteeing 100% tightness. Easily removable waste strainer. Removable membrane enabling cleaning and access to pipes.

Hole: \varnothing 90 mm
 Cover: \varnothing 118 mm
 Outlet: \varnothing 40 mm
 Flat: 40 mm
 Outflow: 34 l/min.

Art. No.: Chrome: **R400P**
 Art. No.: Black: **R400PB**

Lowest,
wet 40 mm



R400W SLIM

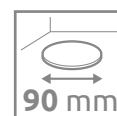
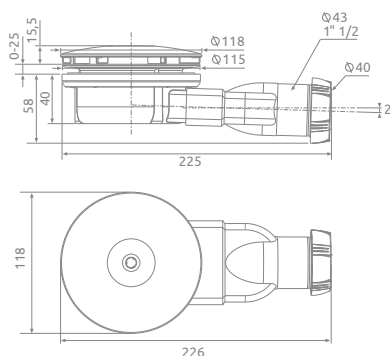


Siphon for shower trays with a chrome cover and compact dimensions.

Hole: \varnothing 90 mm
 Cover: \varnothing 118 mm
 Outlet: \varnothing 40 mm
 Flat: 40 mm
 Outflow: 24 l/min.

Art. No.: **R400W**

Lowest,
wet 40 mm



690 P

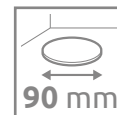
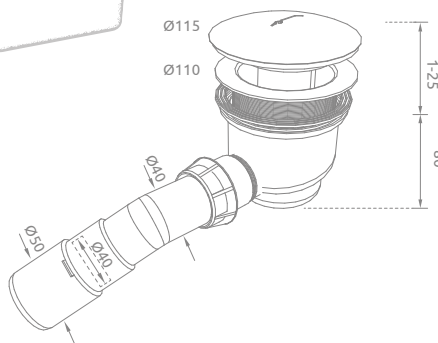


Siphon for shower trays with \varnothing 90 mm hole; decorative cover in ABS chrome \varnothing 115 mm; 135° connector angle; outlet \varnothing 40/50 mm; flat – 80 mm.

Hole: \varnothing 90 mm
 Cover: \varnothing 115 mm
 Outlet: \varnothing 40/50 mm
 Flat: 80 mm
 Outflow: 25 l/min.

Art. No.: **690P**

Economical



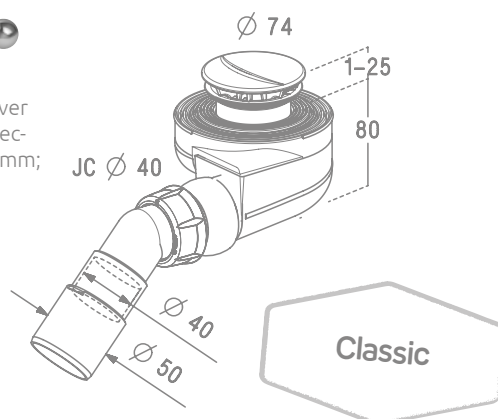
TURBOFLOW TB50



Siphon for shower trays with \varnothing 50 mm hole; very high flow rate; decorative cover in ABS chrome \varnothing 74 mm; 135° multi-directional connector angle; outlet \varnothing 40/50 mm; flat – 80 mm.

Hole: \varnothing 50 mm
 Cover: \varnothing 74 mm
 Outlet: \varnothing 40/50 mm
 Flat: 80 mm
 Outflow: 30 l/min.

Art. No.: **TB50P**



Classic

