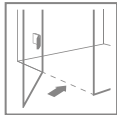
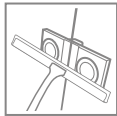
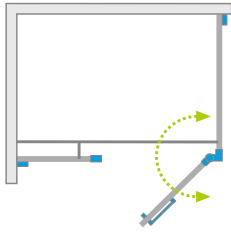


Arta KDS II



Profile finish:



03 Chrome+



Arta KDS II + Giaros D



Shower enclosure set consists of 3 parts: front (two elements) and sidewall S2. Please specify all the article numbers when making an order.

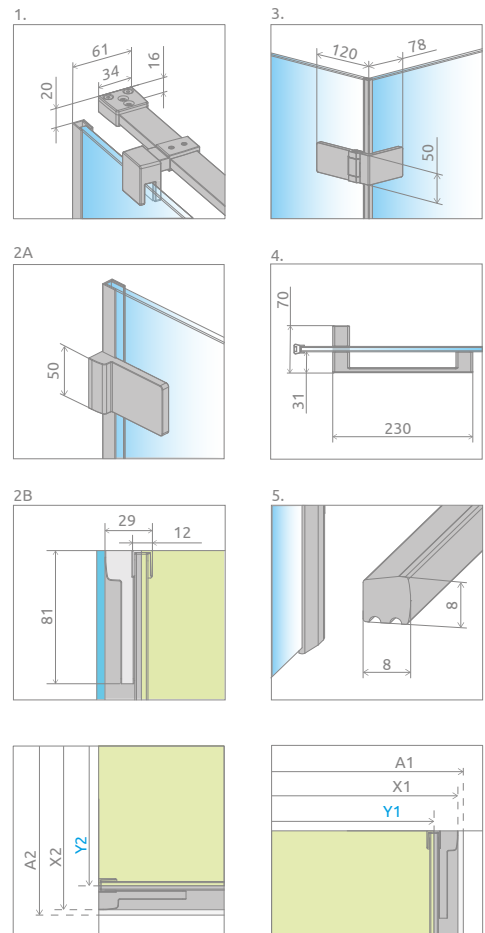
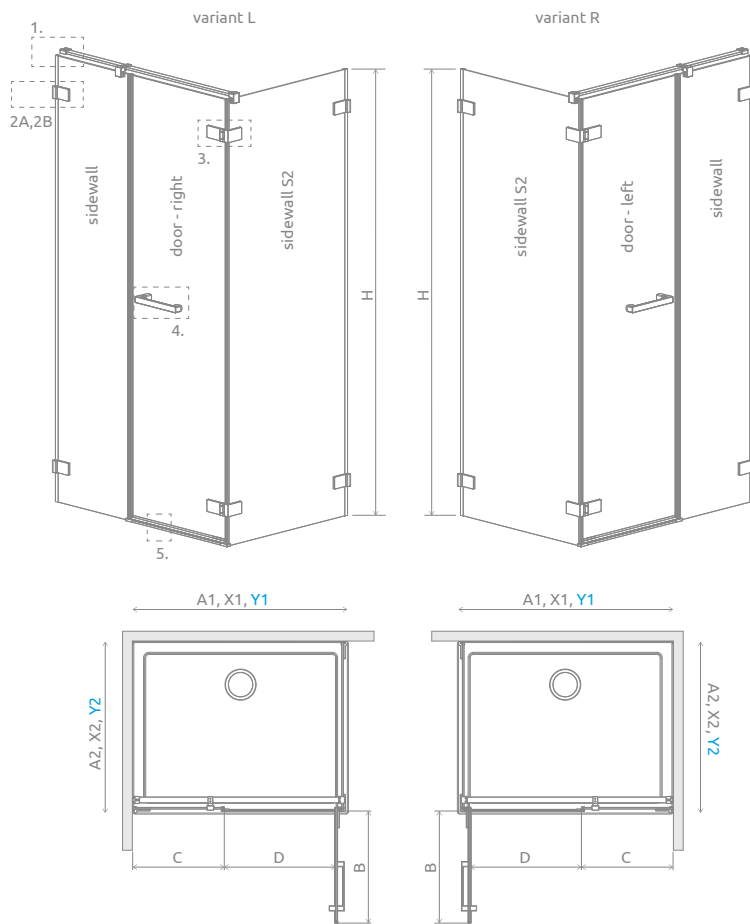
FRONT (consists of two elements, each with individual article number)

Model	Tray width (A1)	Dimension to the glass panel axis (Y1)	Height (H)	Element	TRANSPARENT GLASS
					Art. No.
KDS II front 90 L	900	873-883	2000	Door C 528 R	386521-03-01R
				KDS II front wall 315	1386101-03-01
KDS II front 90 R	900	873-883	2000	Door C 528 L	386521-03-01L
				KDS II front wall 315	1386101-03-01
KDS II front 100 L	1000	973-983	2000	Door C 528 R	386521-03-01R
				KDS II front wall 415	1386103-03-01
KDS II front 100 R	1000	973-983	2000	Door C 528 L	386521-03-01L
				KDS II front wall 415	1386103-03-01
KDS II front 110 L	1100	1073-1083	2000	Door C 528 R	386521-03-01R
				KDS II front wall 515	1386104-03-01
KDS II front 110 R	1100	1073-1083	2000	Door C 528 L	386521-03-01L
				KDS II front wall 515	1386104-03-01
KDS II front 120 L	1200	1173-1183	2000	Door C 528 R	386521-03-01R
				KDS II front wall 615	1386106-03-01
KDS II front 120 R	1200	1173-1183	2000	Door C 528 L	386521-03-01L
				KDS II front wall 615	1386106-03-01
KDS II front 130 L	1300	1273-1283	2000	Door C 628 R	386522-03-01R
				KDS II front wall 615	1386106-03-01
KDS II front 130 R	1300	1273-1283	2000	Door C 628 L	386522-03-01L
				KDS II front wall 615	1386106-03-01
KDS II front 140 L	1400	1373-1383	2000	Door C 628 R	386522-03-01R
				KDS II front wall 715	1386107-03-01
KDS II front 140 R	1400	1373-1383	2000	Door C 628 L	386522-03-01L
				KDS II front wall 715	1386107-03-01

SIDEWALL S2

Model	Tray width (A2)	Dimension to the glass panel axis (Y2)	Height (H)	TRANSPARENT GLASS
				Art. No.
S2 70	700	673-683	2000	386109-03-01
S2 75	750	723-733	2000	386108-03-01
S2 80	800	773-783	2000	386110-03-01
S2 90	900	873-883	2000	386111-03-01
S2 100	1000	973-983	2000	386112-03-01

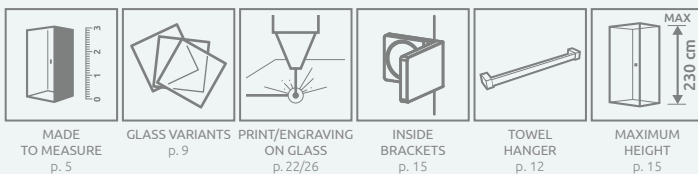
TECHNICAL DRAWINGS



Front	A1	X1	Y1	B	C	D	H
KDS II 90	900	895-905	873-883	520	325-335	517	2000
KDS II 100	1000	995-1005	973-983	520	425-435	517	2000
KDS II 110	1100	1095-1105	1073-1083	520	525-535	517	2000
KDS II 120	1200	1195-1205	1173-1183	520	625-635	517	2000
KDS II 130	1300	1295-1305	1273-1283	620	625-635	617	2000
KDS II 140	1400	1395-1405	1373-1383	620	725-735	617	2000

Sidewall S2	A2	X2	Y2
S2 70	700	695-705	673-683
S2 75	750	745-755	723-733
S2 80	800	795-805	773-783
S2 90	900	895-905	873-883
S2 100	1000	995-1005	973-983

ADDITIONAL OPTIONS



RECOMMENDED SHOWER TRAYS



Dimensions are given in mm.