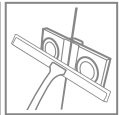
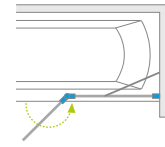


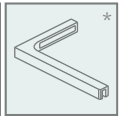
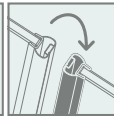
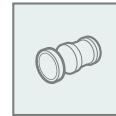
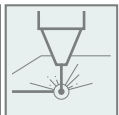
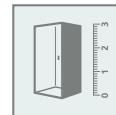


Other colour versions of products from the series can be found on p. 405

# Essenza PND II



## ADDITIONAL OPTIONS



Profile finish:

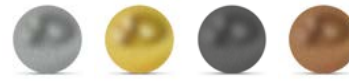
**Glossy:**

**Matte:**



01 Chrome 09 Gold 54 Black

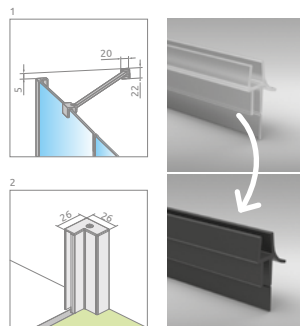
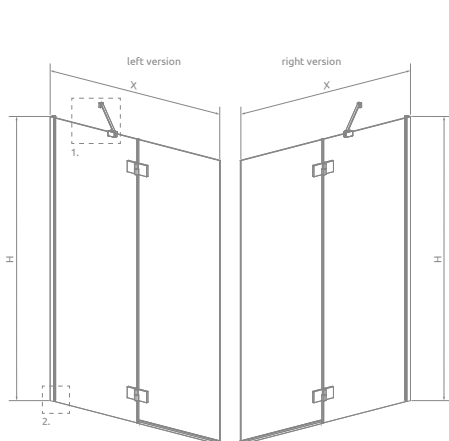
**Brushed:**



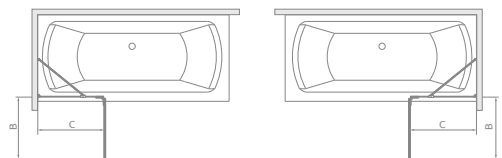
91 Nickel 99 Gold 92 GunMetal 93 Copper

Model	Width (X)	Height (H)	TRANSPARENT GLASS			
			profile finish: <b>CHROME</b> Art. No.	profile finish: <b>BLACK</b> Art. No.	profile finish: <b>GOLD</b> Art. No.	profile finish: <b>BRUSHED</b> Art. No.
PND II 100 L	1000-1015	1500	110002100-01-01L	110002100-54-01L	110002100-09-01L	110002100-XX-01L
PND II 100 R	1000-1015	1500	110002100-01-01R	110002100-54-01R	110002100-09-01R	110002100-XX-01R
PND II 110 L	1100-1115	1500	110002110-01-01L	110002110-54-01L	110002110-09-01L	110002110-XX-01L
PND II 110 R	1100-1115	1500	110002110-01-01R	110002110-54-01R	110002110-09-01R	110002110-XX-01R
PND II 120 L	1200-1215	1500	110002120-01-01L	110002120-54-01L	110002120-09-01L	110002120-XX-01L
PND II 120 R	1200-1215	1500	110002120-01-01R	110002120-54-01R	110002120-09-01R	110002120-XX-01R
PND II 130 L	1300-1315	1500	110002130-01-01L	110002130-54-01L	110002130-09-01L	110002130-XX-01L
PND II 130 R	1300-1315	1500	110002130-01-01R	110002130-54-01R	110002130-09-01R	110002130-XX-01R
PND II 140 L	1400-1415	1500	110002140-01-01L	110002140-54-01L	110002140-09-01L	110002140-XX-01L
PND II 140 R	1400-1415	1500	110002140-01-01R	110002140-54-01R	110002140-09-01R	110002140-XX-01R

## TECHNICAL DRAWINGS



There is a possibility of a paid replacement of transparent gaskets (vertical and horizontal) for black gaskets. This option should be clearly stated in the order.



Model	X	B	C	H
PND II 100*	1000-1015	488	535-550	1500
PND II 110*	1100-1115	538	585-600	1500
PND II 120*	1200-1215	588	635-650	1500
PND II 130	1300-1315	638	685-700	1500
PND II 140	1400-1415	688	735-750	1500

\* up to size 120  
Dimensions are given in mm.