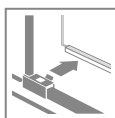
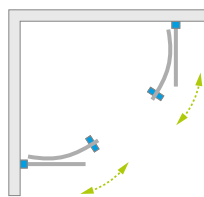


# Idea PDD

Other colour versions of products from the series can be found on p. 154



Profile finish:



01 Chrome 54 Black



Idea PDD + Doros Plus A

Shower enclosure set consists of 2 parts: shower door and sidewalls. Please specify all the article numbers when making an order.

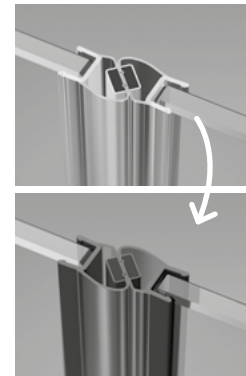
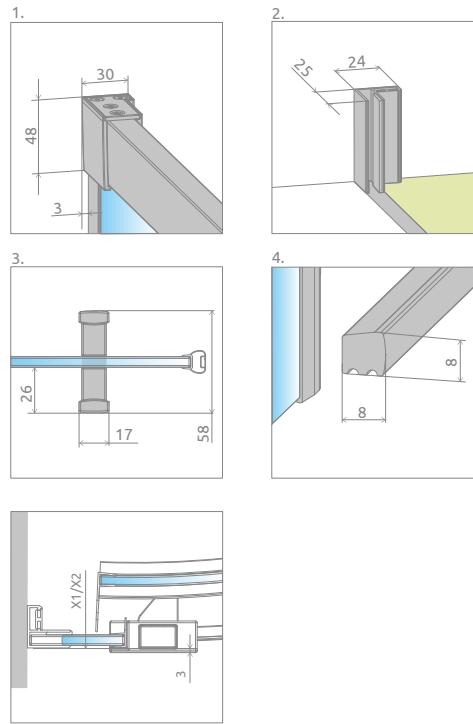
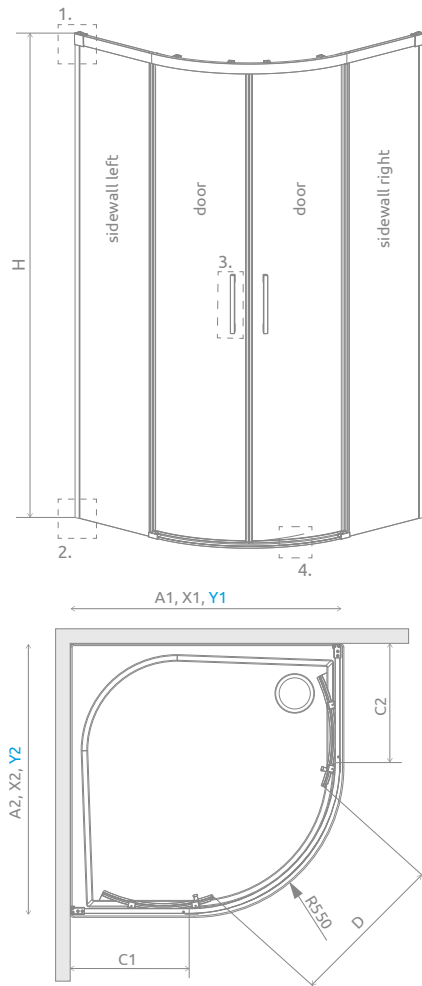
## SYMMETRIC SHOWER ENCLOSURES

Model	Element	TRANSPARENT GLASS	
		profile finish: <b>CHROME</b> Art. No.	profile finish: <b>BLACK</b> Art. No.
PDD 80×80	PDD doors	387139-01-01	387139-01-01
	PDD walls 80L×80R	387141-01-01	387141-54-01
PDD 90×90	PDD doors	387139-01-01	387139-01-01
	PDD walls 90L×90R	387140-01-01	387140-54-01
PDD 100×100	PDD doors	387139-01-01	387139-01-01
	PDD walls 100L×100R	387142-01-01	387142-54-01

## ASYMMETRIC SHOWER ENCLOSURES

Model	Element	TRANSPARENT GLASS	
		profile finish: <b>CHROME</b> Art. No.	profile finish: <b>BLACK</b> Art. No.
PDD 80L×90R	PDD doors	387139-01-01	387139-01-01
	PDD walls 80L×90R	387150-01-01	387150-54-01
PDD 80L×100R	PDD doors	387139-01-01	387139-01-01
	PDD walls 80L×100R	387152-01-01	387152-54-01
PDD 80L×120R	PDD doors	387139-01-01	387139-01-01
	PDD walls 80L×120R	387154-01-01	387154-54-01
PDD 90L×80R	PDD doors	387139-01-01	387139-01-01
	PDD walls 90L×80R	387151-01-01	387151-54-01
PDD 90L×100R	PDD doors	387139-01-01	387139-01-01
	PDD walls 90L×100R	387156-01-01	387156-54-01
PDD 90L×120R	PDD doors	387139-01-01	387139-01-01
	PDD walls 90L×120R	387158-01-01	387158-54-01
PDD 100L×80R	PDD doors	387139-01-01	387139-01-01
	PDD walls 100L×80R	387153-01-01	387153-54-01
PDD 100L×90R	PDD doors	387139-01-01	387139-01-01
	PDD walls 100L×90R	387157-01-01	387157-54-01
PDD 120L×80R	PDD doors	387139-01-01	387139-01-01
	PDD walls 120L×80R	387155-01-01	387155-54-01
PDD 120L×90R	PDD doors	387139-01-01	387139-01-01
	PDD walls 120L×90R	387159-01-01	387159-54-01

## TECHNICAL DRAWINGS



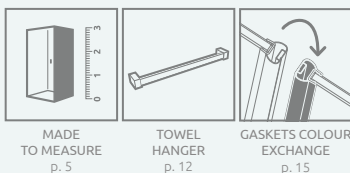
There is a possibility of a paid replacement of transparent gaskets for black gaskets:

- option no.1 – only magnetic gaskets,
- option no. 2 – all gaskets (magnetic, vertical and horizontal).

The selected option must be clearly stated in the order.

Model	A1	A2	X1	X2	Y1	Y2	C1	C2	D	H
PDD 80L×80R	800	800	785-800	785-800	780-795	780-795	227-242	227-242	405	2005
PDD 90L×90R	900	900	885-900	885-900	880-895	880-895	327-342	327-342	570	2005
PDD 100L×100R	1000	1000	985-1000	985-1000	980-995	980-995	427-442	427-442	570	2005
PDD 80L×90R	800	900	785-800	885-900	780-795	880-895	227-242	327-342	488	2005
PDD 80L×100R	800	1000	785-800	985-1000	780-795	980-995	227-242	427-442	488	2005
PDD 80L×120R	800	1200	785-800	1185-1200	780-795	1180-1195	227-242	627-642	488	2005
PDD 90L×80R	900	800	885-900	785-800	880-895	780-795	327-342	227-242	488	2005
PDD 90L×100R	900	1000	885-900	985-1000	880-895	980-995	327-342	427-442	570	2005
PDD 90L×120R	900	1200	885-900	1185-1200	880-895	1180-1195	327-342	627-642	570	2005
PDD 100L×80R	1000	800	985-1000	785-800	980-995	780-795	427-442	227-242	488	2005
PDD 100L×90R	1000	900	985-1000	885-900	980-995	880-895	427-442	327-342	570	2005
PDD 120L×80R	1200	800	1185-1200	785-800	1180-1195	780-795	627-642	227-242	488	2005
PDD 120L×90R	1200	900	1185-1200	885-900	1180-1195	880-895	627-642	327-342	570	2005

## ADDITIONAL OPTIONS



## RECOMMENDED SHOWER TRAYS



Dimensions are given in mm.