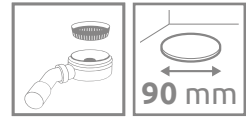
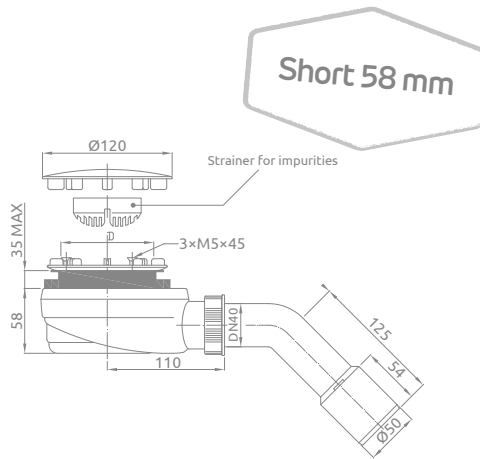


## R580

Siphon for shower trays with  $\varnothing 90$  mm hole; high flowrate; stainless steel cover; 135° connector angle. The siphon has an additional strainer that filters impurities.

Hole:  $\varnothing 90$  mm  
 Cover:  $\varnothing 120$  mm  
 Outlet:  $\varnothing 40/50$  mm  
 Flat: **58 mm**  
 Outflow: **40,5 l/min.**

Art. No.: Stainless steel: **R580**  
 Art. No.: White: **R580W**  
 Art. No.: Black: **R580B**



## R583

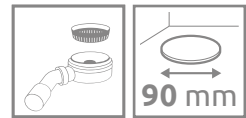
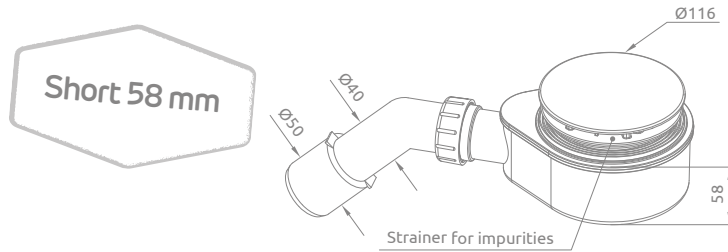


**New**

Siphon for shower trays with  $\varnothing 90$  mm hole, cleaned from the top, with an increased water flow rate of 47 l/min and drain bend 135°. Outlet  $\varnothing 40/50$  mm. Height 58 mm. The siphon has a strainer that filters impurities.

Hole:  $\varnothing 90$  mm  
 Cover:  $\varnothing 116$  mm  
 Outlet:  $\varnothing 40/50$  mm  
 Flat: **58 mm**  
 Outflow: **47 l/min.**

Art. No.: Gold: **R583G**



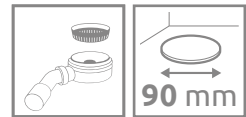
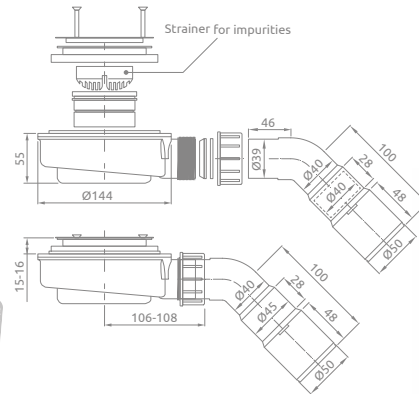
## HS1

Siphon for shower trays with  $\varnothing 90$  mm hole; high flow rate; outlet  $\varnothing 40$  mm; flat: 55 mm. The siphon has an additional strainer that filters impurities.

Hole:  $\varnothing 90$  mm  
 Outlet:  $\varnothing 40/50$  mm  
 Flat: **55 mm**  
 Outflow: **42 l/min.**

Art. No.: **HS1**

For Kyntos  
and Teos  
shower  
trays



## R399



Siphon for Argos shower trays, cleaned from the top with an increased water flow rate, with a chrome-plated square cover with a side length of 120 mm and a 135° outlet bend. The siphon has an additional strainer that filters impurities.

Hole:  $\varnothing 90$  mm  
 Cover: **120x120 mm**  
 Outlet:  $\varnothing 40/50$  mm  
 Flat: **60 mm**  
 Outflow: **25 l/min.**

Art. No.: **R399**

For Argos  
shower  
trays

