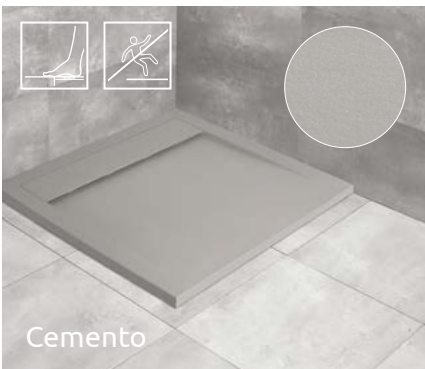




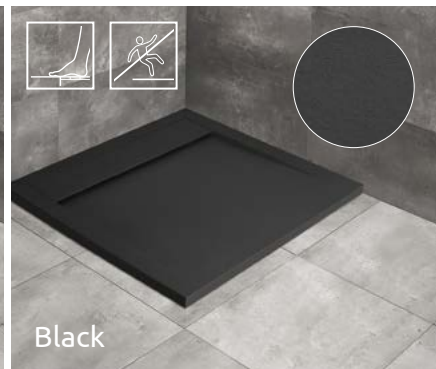
White



Cemento



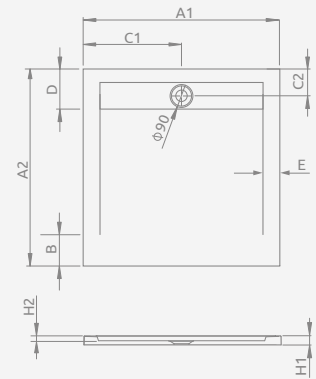
Anthracite



Black

TEOS C

To be installed on floor, siphon outlet \varnothing 90 mm, recommended siphon HS1. The shower tray has a "B" anti-slip certificate issued by TÜV Rheinland® in accordance with the DIN 51097:1992 standard. The shower tray can be cut to the individual sizes (more details on p. 410).



TEOS C	A1	A2	B	C1	C2	D	E	H1	H2
80×80	800	800	150	400	130	200	55	30	15
90×90	900	900	150	450	130	200	55	30	15
100×100	1000	1000	250	500	130	200	55	30	15

Model	Art. No.			
	White	Cemento	Anthracite	Black
TEOS C 80×80	HTC8080-04	HTC8080-74	HTC8080-64	HTC8080-54
TEOS C 90×90	HTC9090-04	HTC9090-74	HTC9090-64	HTC9090-54
TEOS C 100×100	HTC100100-04	HTC100100-74	HTC100100-64	HTC100100-54