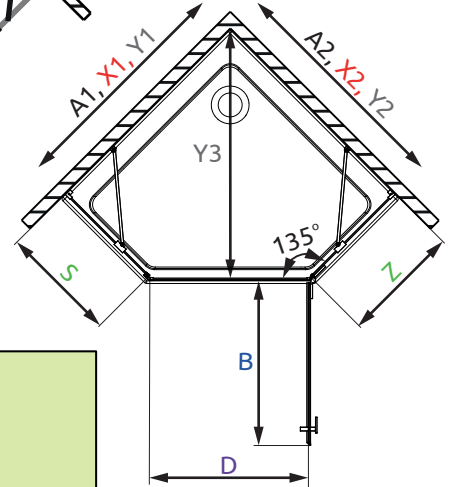
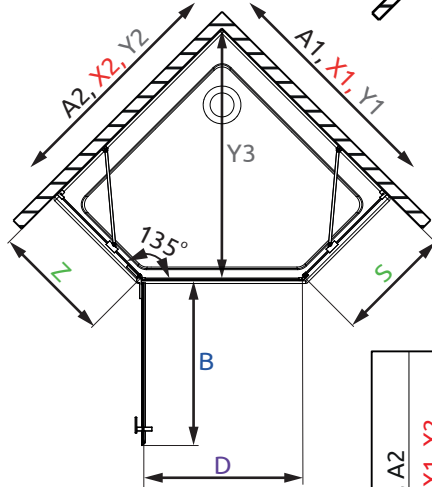


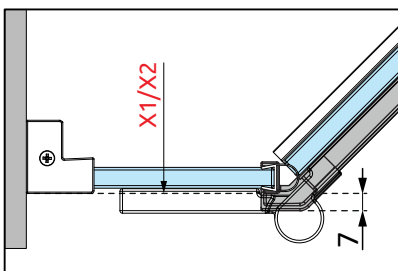
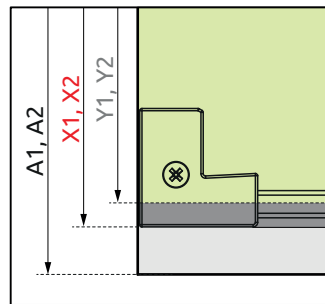
Wariant LEWY  
Variant L

Wariant PRAWY  
Variant R

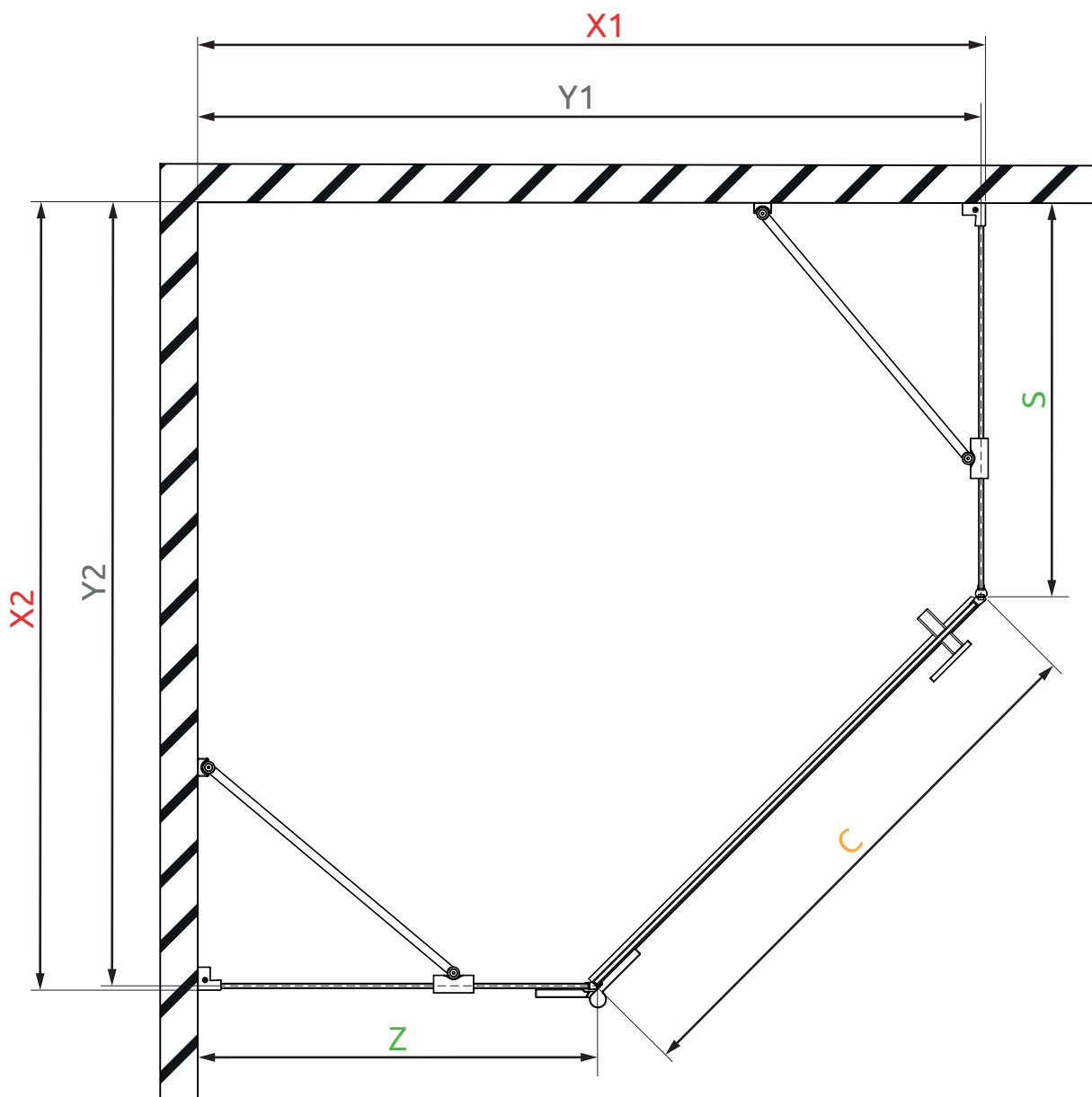


Wariant LEWY / Variant L

Wariant PRAWY / Variant R



Model	A1	A2	X1	X2	Y1	Y2	Y3	B	Z	S	D	H
PTJ 80Zx80S	800	800	774-789	774-789	768-783	768-783	780-801	623	342-357	335-350	597	2000
PTJ 90Zx90S	900	900	874-889	874-889	868-883	868-883	922-943	623	442-457	435-450	597	2000
PTJ 100Zx100S	1000	1000	974-989	974-989	968-983	968-983	1063-1084	623	542-557	535-550	597	2000
PTJ 80Zx90S	800	900	774-789	874-889	768-783	868-883	851-872	623	342-357	435-450	597	2000
PTJ 80Zx100S	800	1000	774-789	974-989	768-783	968-983	922-943	623	342-357	535-550	597	2000
PTJ 90Zx80S	900	800	874-889	774-789	868-883	768-783	851-872	623	442-457	335-350	597	2000
PTJ 90Zx100S	900	1000	874-889	974-989	868-883	968-983	992-1013	623	442-457	535-550	597	2000
PTJ 100Zx80S	1000	800	974-989	774-789	968-983	768-783	922-943	623	542-557	335-350	597	2000
PTJ 100Zx90S	1000	900	974-989	874-889	968-983	868-883	992-1013	623	542-557	435-450	597	2000



Model	X1*	X2*	Y1*	Y2*	Z*	S*	C*
PTJ 80Zx80S	779	779	773	773	347	340	610
PTJ 90Zx90S	879	879	873	873	447	440	610
PTJ 100Zx100S	979	979	973	973	547	540	610
PTJ 80Zx90S	779	879	773	873	347	440	610
PTJ 80Zx100S	779	979	773	973	347	540	610
PTJ 90Zx80S	879	779	873	773	447	340	610
PTJ 90Zx100S	879	979	873	973	447	540	610
PTJ 100Zx80S	979	779	973	773	547	340	610
PTJ 100Zx90S	979	879	973	873	547	440	610

\*Wymiary dotyczą montażu typowej kabiny montowanej zgodnie z instrukcją montażu  
 \*All dimensions refer to standard shower installation in accordance with the assembly instruction

